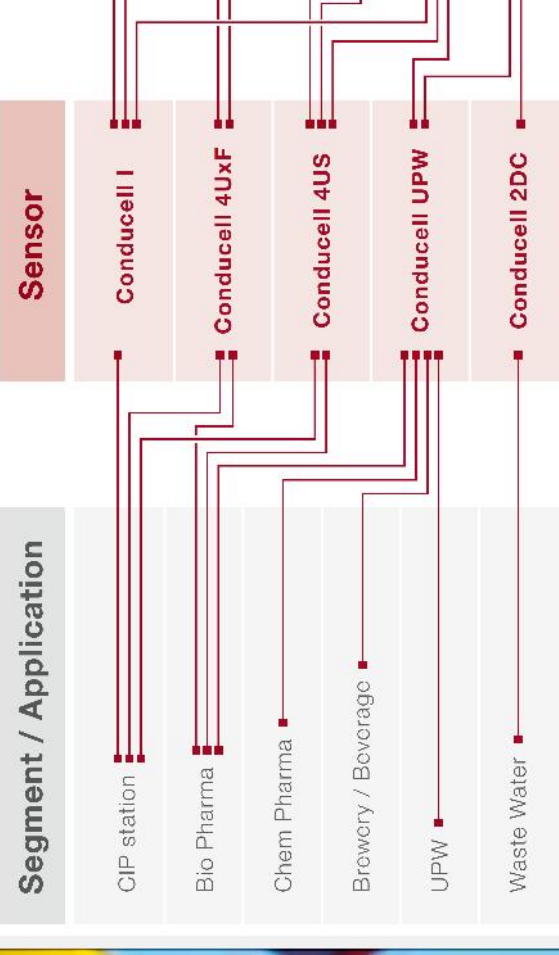


Cond

The electrical conductivity of liquids in different kinds of acids, bases or salts anions. In ultra-pure water, H_3O^+ and OH^- , are present in low concentrations. This intrinsic conductivity is a function of the temperature of the conductive medium.

The electrical conductivity measurement when using a measurement cell that compensates for the temperature constant is used. This is done by means of conductivity cells.

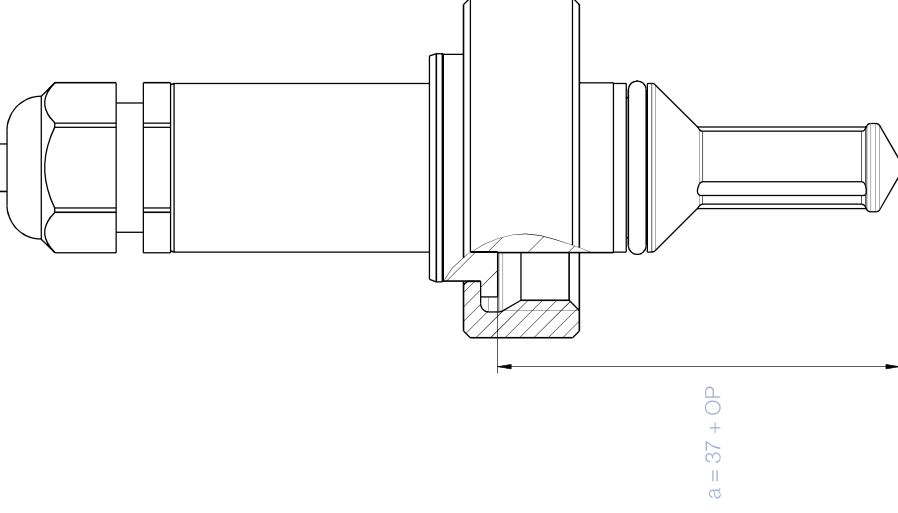
Electrical conductivity, resistivity, and measurement of an electric current. It is common to use $\mu S/cm$.



Cell 4US

Specifications
Measuring range
Measurement Principle
O-ring position
Process temperature
Pressure range (relative to ambient)
Hygienic aspects
Cell constant
Material of electrode
O-ring

Other versions available on request



activity process \varnothing 1 1/4" with

rearity over

can for steam cleanings. with the



Ordering Information

	5 m Fix cable
Conducell 4US-G125	237700-OP
Conducell 4US-T150-50	237750
Conducell 4US-T150-100	237760

Accessories



• Flow-th This flow facilitates

Typical applications

- ▶ Fermentation
- ▶ Chemical industry

Benefits

- ▶ Very good linearity, especially for applications with wide variations in conductivity
- ▶ All wetted parts are FDA-compliant
- ▶ Sanitary: Sensor is easy to clean
- ▶ O-ring position can be chosen individually

Specifications

- Measuring range
- Measurement Principle
- Process temperature
- Pressure range (relative to ambient)
- Hygienic aspects
- Cell constant
- Material of electrode
- Surface quality
- O-ring

Other versions available on request



activity sensors with very water, Pure water, particularly in the industry. able with such as with the order



“ Did you know... that with Arc all the important information is stored in the sensor head. **”**

Benefits

- ▶ Sanitary design: all wetted parts are FDA approved
- ▶ Easy cleanable
- ▶ Intelligence in the sensor: fully compensated measurement signals
- ▶ Easy handling due to user-friendly interface

Typical applications

- ▶ Ultra Pure Water
- ▶ Pure Water
- ▶ Water for Injection

Ordering Information

	a-length	VP6
Conducell UPW PG 13.5	120	243640
Conducell UPW TC 1.5"	87	-



Accessories



UPW Simulator Ref 243580
Traceable resistor to verify the Arc module acc. to USP <645>

Conducell
Cable
Arc A

CELL 2DC-PG



constructed in a
measurements
applications.
effect the

- Specifications
- Measuring range
- Measurement Principle
- Process temperature
- Pressure range
- (relative to ambient)
- Cell constant
- Material of electrode
- O-ring

Ordering Information

5 m Fix cable
237610

a-length
120

Conducell 2DC-PG 120



Benefits

- ▶ 2 large graphite electrodes for stable measurements
- ▶ Mechanically-stable plastic shaft
- ▶ Easily cleanable

Typical applications

- ▶ Water and Wastewater

Accessories



Conducell
Housing

Specifications
Measuring range
Measurement Principle
Process temperature
Pressure range
Hygienic aspects
Cell constant
Wetted Parts*



Ordering Information

Conducell I Family Structure			
243290			
Code	Process Connection	Code	Additional Certificate
1	Neumo BioControl D50	1	None
2	Triclamp 2"	2	Biocompatibility USP class VI
3	Tuehnhagen Varivent® DN50/40		
		Code	Temperature Sensor
		1	Pt1000
243290 -			← Order Code

Benefits

- ▶ Unique hygienic design, therefore no risk of contamination
- ▶ Made from non-corrosive materials which is good for acids and bases
- ▶ Fast temperature response time t90 under 26 s enable safe and efficient phase separations
- ▶ Insensitive to electrode soiling and polarization thanks to electrodeless, inductive measuring principle.

Typical applications

- ▶ Phase separation
- ▶ Control of CIP (cleaning in place)
- ▶ Leakage monitoring

Accessories

